

3. Installation Conditions and Relevant Building Regulations

The stove must be installed in accordance with the instructions and requirements stipulated by the respective national and European standards and local regulations.

In Germany, the stove must be registered with the local master chimney sweep for inspection prior to initial operation.

4. Safety Distances

Within a radius of 120 cm in front of and 50 cm around the stove, flammable, combustible, or heat-sensitive materials (e.g. furniture, wood or plastic panelling, curtains, etc.) are not allowed to be located in the heat radiating area of the fire box window (Fig. 1).

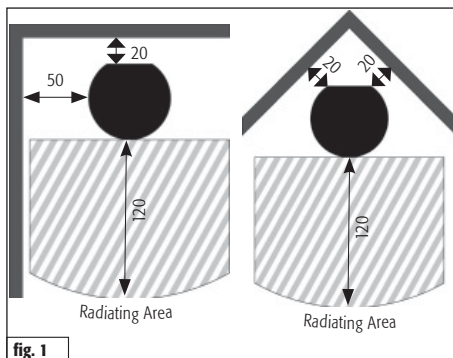
With regard to flammable materials beyond the heat radiating area, a safety distance of 20 cm at the sides of the stove and 20 cm behind the stove has to be adhered to (Fig. 1).



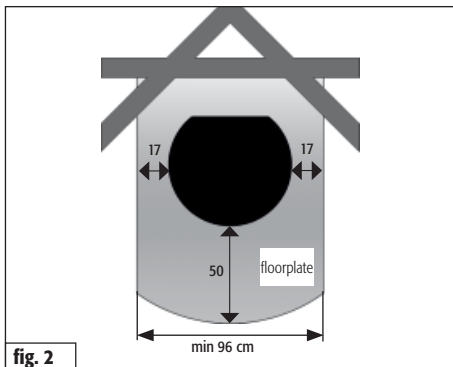
WARNING!

Flammable flooring materials (e.g., wood, laminate, carpeting,) must be protected with a floorplate made of non-combustible material (e.g., tiles, safety glass, slate, or sheet steel).

The size of the floorplate must be larger than the base of the stove by at least 50 cm in front and at least 17 cm at the sides of the stove (Fig. 2).



Dimensions in cm



Dimensions in cm

5. Installation

Check to make sure that the load-bearing capacity of the installation surface is sufficient. If necessary, using a floorplate to distribute the load can increase the load bearing capacity.

Check whether the room in which the Como will be installed is adequately supplied with enough fresh air. If the windows and doors are tightly sealed, the necessary supply of fresh air may not be ensured, which can interfere with the draught capability of the stove and chimney.

If additional combustion air inlet openings are required, they are not permitted to be closed or blocked.



CAUTION!

Simultaneous operation of the stove with ventilation systems and/or exhaust hoods can cause negative pressure to build up in the room where the stove is installed, which can lead to problems such as flue gas escaping from the stove.



NOTE!

To ensure that air is not drawn out of the room where the stove is installed, we recommend using a window contact switch to lock exhaust hoods that guide the air to the outside.

27. Technical Data

The **Como**, certified in compliance with **DIN-EN 13240 : 2001 + A2 2004 and Art. 15 a B-VG (Austria)**, can only be operated when the fire box is closed; more than one device can be connected to the chimney.

VKF-No.: 18009; **Inspection Report No. (AT):** FSPS-Wa 1756-A

The following data applies to the chimney characteristics in accordance with EN 13384-1 / 2:

Combustion Values	Wood	Briquettes	
Nominal Thermal Output	7	7	kW
Waste Gas Mass Flow Rate	7	7	g/s
Waste Gas Outlet Temp.	300	300	°C
Min. Supply Pressure at Nominal Thermal Output	11	11	Pa
CO content at 13% O ₂	0,07	0,07	Vol%
Efficiency	82	81	%
Particulate	36	35	mg/Nm ³

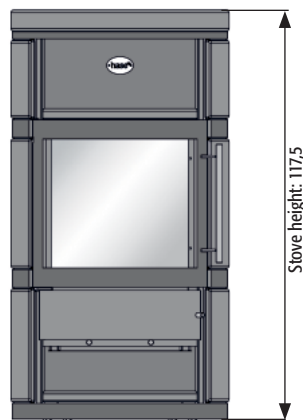
Depending on the insulation of the building, the nominal thermal output of **7 kW** indicated on **25 - 95 m²** (subject to change)

Dimensions:	Height	Width	Depth
Stove	117,5 cm	62 cm	57 cm
Fire box	27,5 cm	36 cm	33 cm

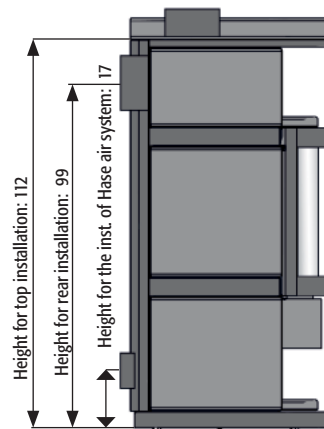
Weight (ceramic / soapstone):	215 / 271	kg
Fire Box Opening:	1106	cm ²
Flue pipe diameter:	15	cm
Pipe diameter of Hase ventilation system*	10	cm

* For separate air supply in low-energy houses and insufficient combustion air supply in the room where the stove is installed

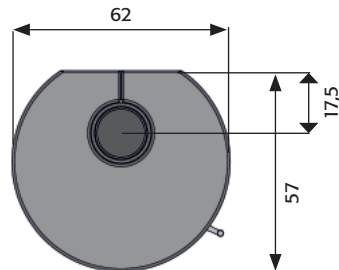
Front view



Side view



Top view



Dimensions in cm